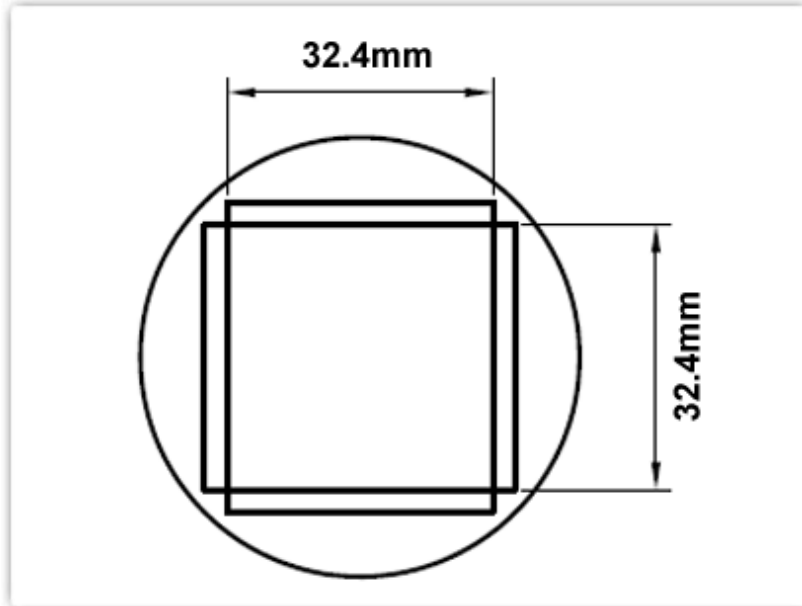


HTN-PL84 Datasheet

Technical Specifications



HTN-PL84

Nozzle 32.4mm x 32.4mm, PLCC-84

Nozzle Style: PLCC-84

Nozzle Width: 32.40mm (1.28")

Nozzle Height: 32.40mm (1.28")

Nozzle Type:	HTN Series
RoHS Compliant / Lead Free:	YES
Equivalent to:	H-P84
For Use With:	TMT-HA200, TMT-HA300, HCT-900

Material Composition

Stainless Steel



**All components
are RoHS
compliant and
Lead-Free.**



**Standard Connector
22mm (0.87") diameter**