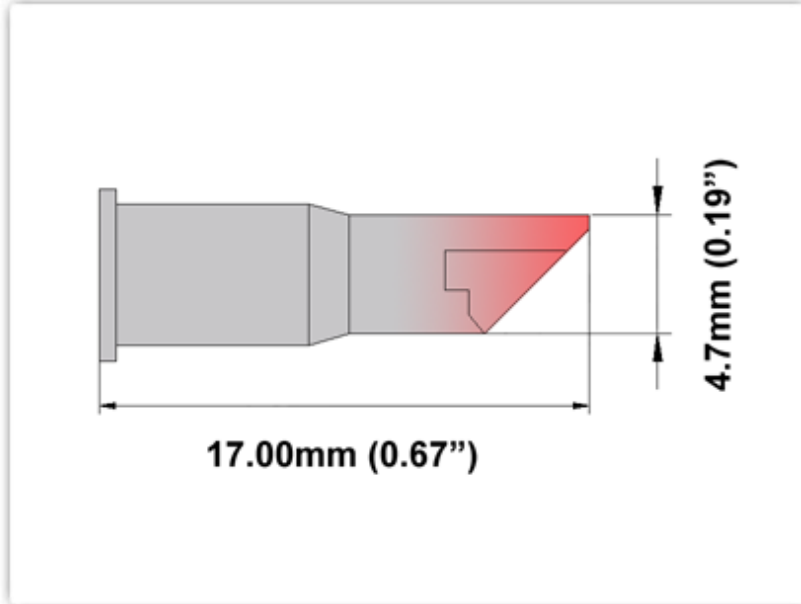


## TMT-W-LTY Datasheet

### Technical Specifications



#### TMT-W-LTY

*Hoof w/Dent 45° 4.7mm (0.19")*

Tip Style: Hoof w/Dent

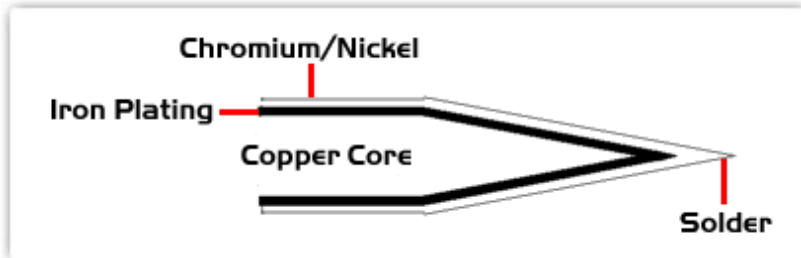
Tip Width: 4.70mm (0.19")

Tip Length: 17.00mm (0.67")

RoHS Compliant<sup>1</sup> / Lead Free:  
Equivalent to:  
For Use With:

YES  
LTY  
Weller WSD81

### Material Composition



**All components  
are RoHS  
compliant and  
Lead-Free.**

<sup>1</sup> Please refer to <http://www.rohs.gov.uk> for details on RoHS Compliance.