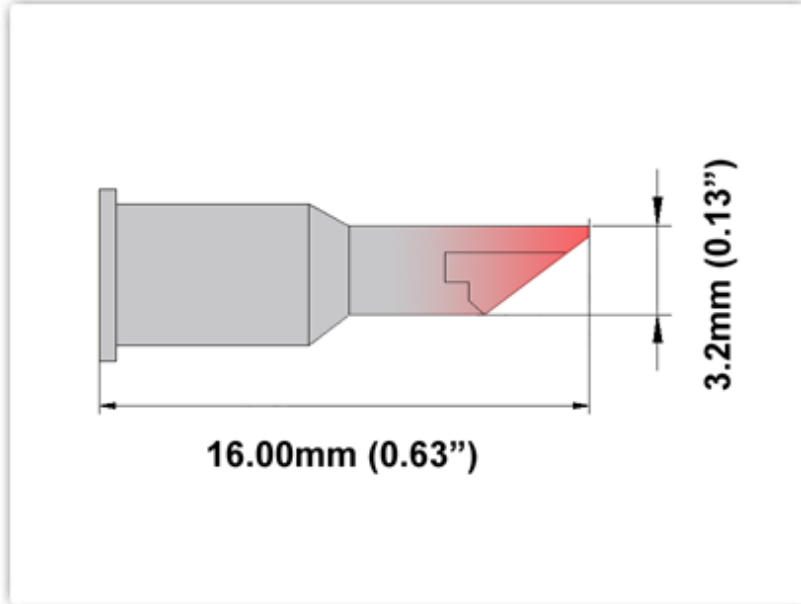


TMT-W-LTY3.2 Datasheet

Technical Specifications



TMT-W-LTY3.2

Hoof w/Dent 45° 3.2mm (0.13")

Tip Style: Hoof w/Dent

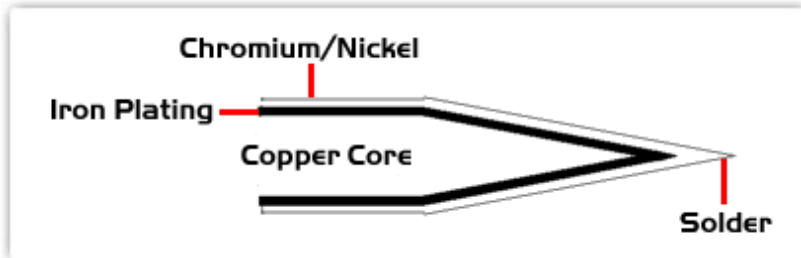
Tip Width: 3.20mm (0.13")

Tip Length: 16.00mm (0.63")

RoHS Compliant¹ / Lead Free:
 Equivalent to:
 For Use With:

YES
 LTY 3.2
 Weller WSD81

Material Composition



**All components
 are RoHS
 compliant and
 Lead-Free.**

¹ Please refer to <http://www.rohs.gov.uk> for details on RoHS Compliance.