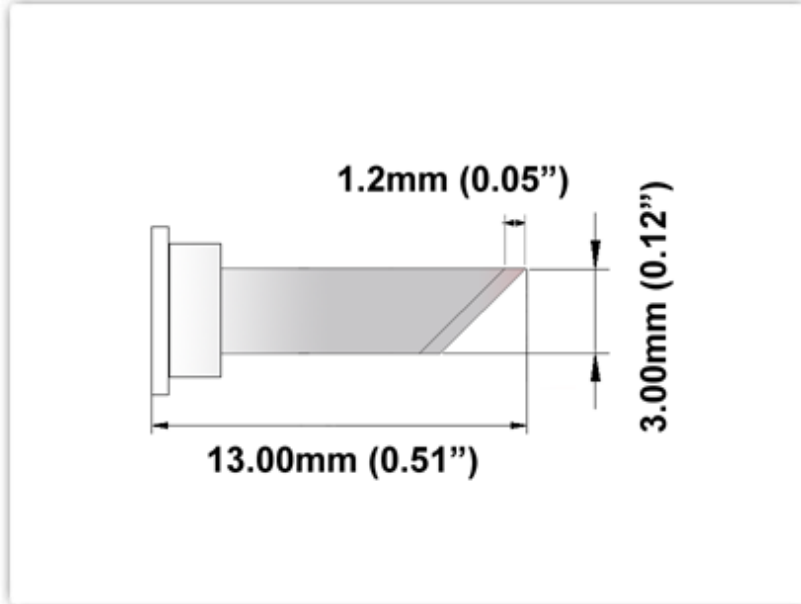


# TMT-W-LTKNS Datasheet

## Technical Specifications



### TMT-W-LTKNS

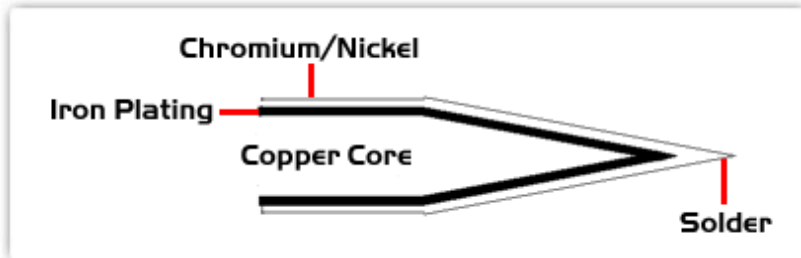
**Knife 3.0mm (0.12\"), Tin Area 1.2mm (0.05\")**

Tip Style: Knife  
 Tip Width: 3.00mm (0.12\"  
 Tip Length: 13.00mm (0.51\"

RoHS Compliant<sup>1</sup> / Lead Free:  
 Equivalent to:  
 For Use With:

YES  
 LTKNS 1.2  
 Weller WSD81

## Material Composition



**All components are RoHS compliant and Lead-Free.**

<sup>1</sup> Please refer to <http://www.rohs.gov.uk> for details on RoHS Compliance.