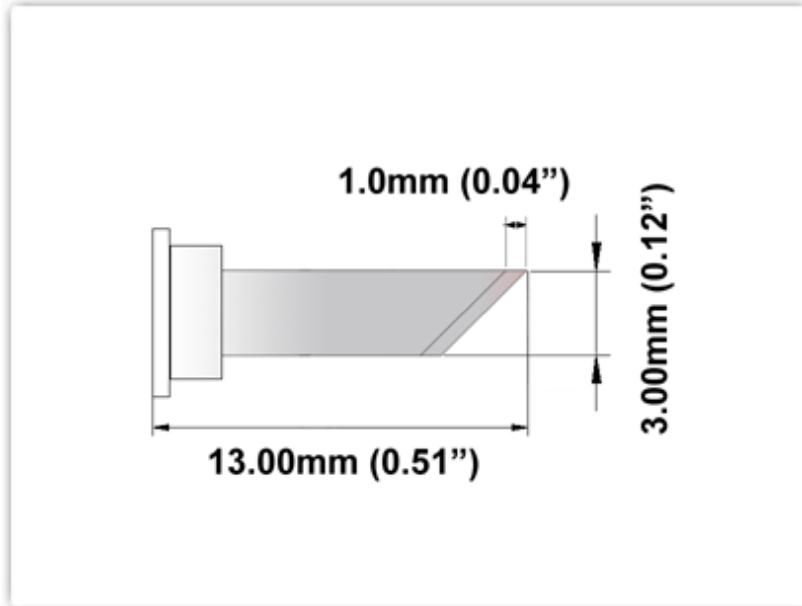


TMT-W-LTKNS1 Datasheet

Technical Specifications



TMT-W-LTKNS1

Knife 3.0mm (0.12"), Tin Area 1.0mm (0.04")

Tip Style: Knife

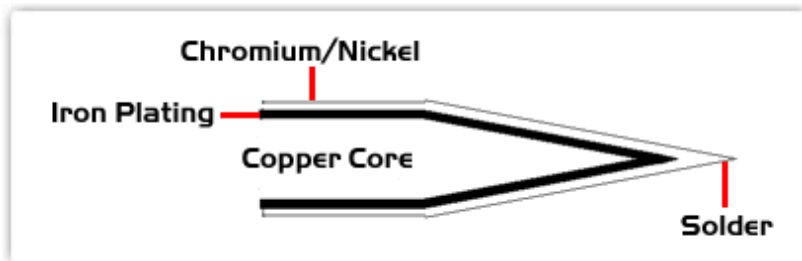
Tip Width: 3.00mm (0.12")

Tip Length: 13.00mm (0.51")

RoHS Compliant¹ / Lead Free:
Equivalent to:
For Use With:

YES
LTKNS 1.0
Weller WSD81

Material Composition



**All components
are RoHS
compliant and
Lead-Free.**

¹ Please refer to <http://www.rohs.gov.uk> for details on RoHS Compliance.