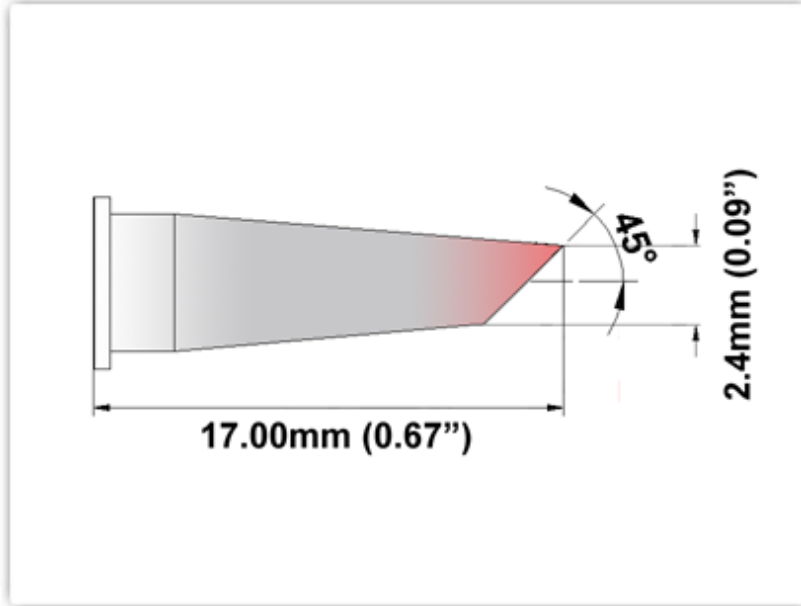


TMT-W-LTBB45DEG Datasheet

Technical Specifications



TMT-W-LTBB45DEG

Bevel 45° 2.4mm (0.095")

Tip Style: Bevel

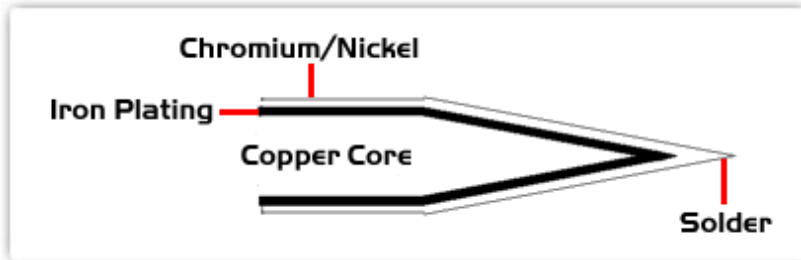
Tip Width: 2.40mm (0.09")

Tip Length: 17.00mm (0.67")

RoHS Compliant¹ / Lead Free:
Equivalent to:
For Use With:

YES
LTBB 45°
Weller WSD81

Material Composition



**All components
are RoHS
compliant and
Lead-Free.**

¹ Please refer to <http://www.rohs.gov.uk> for details on RoHS Compliance.