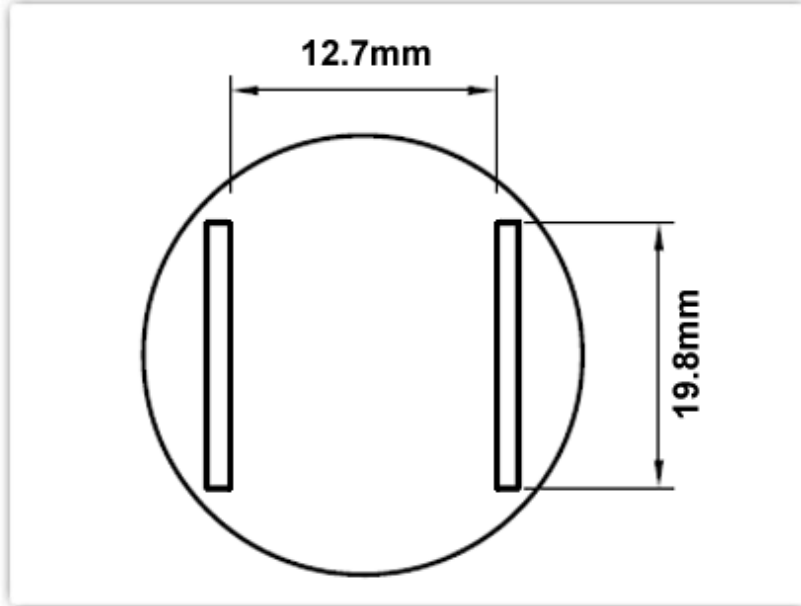


## HTN-TS44 Datasheet

### Technical Specifications



#### HTN-TS44

*Nozzle 12.7mm x 19.8mm, TSOP  
24-28/40-44 PIN*

Nozzle Style: TSOP 24-28/40-44  
PIN

Nozzle Width: 12.70mm (0.50")

Nozzle Height: 19.80mm (0.78")

Nozzle Type:	HTN Series
RoHS Compliant / Lead Free:	YES
Equivalent to:	H-TSW44
For Use With:	TMT-HA200, TMT-HA300, HCT-900

### Material Composition

**Stainless Steel**



**All components  
are RoHS  
compliant and  
Lead-Free.**



**Standard Connector  
22mm (0.87") diameter**