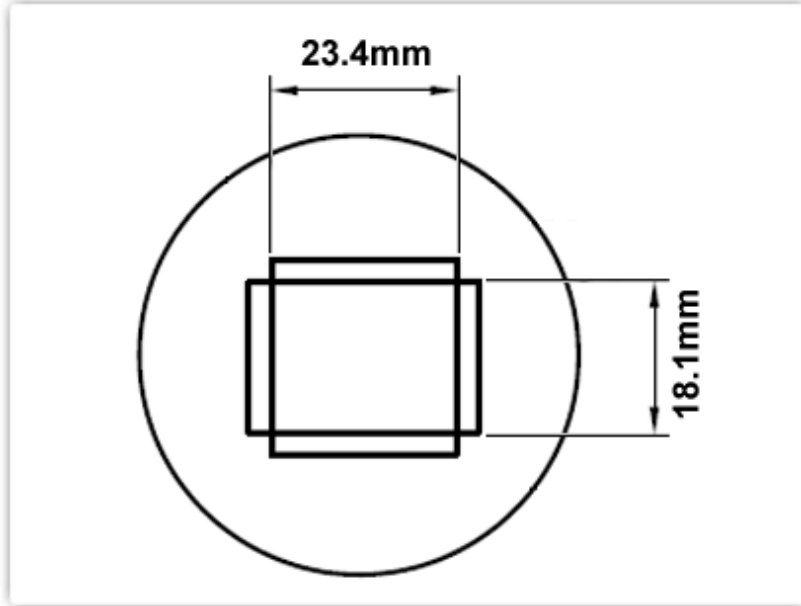


HTN-QF100 Datasheet

Technical Specifications



HTN-QF100

Nozzle 23.4mm x 18.1mm, QFP-64,80,100

Nozzle Style: QFP-64,80,100

Nozzle Width: 23.40mm (0.92")

Nozzle Height: 18.10mm (0.71")

Nozzle Type:	HTN Series
RoHS Compliant / Lead Free:	YES
Equivalent to:	H-Q1420
For Use With:	TMT-HA200, TMT-HA300, HCT-900

Material Composition

Stainless Steel



All components are RoHS compliant and Lead-Free.



**Standard Connector
22mm (0.87") diameter**